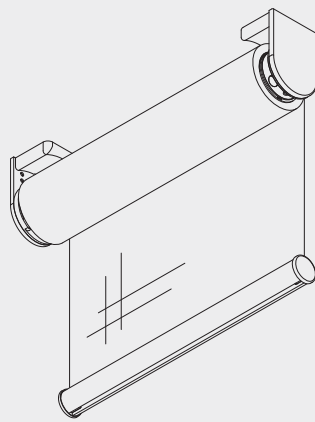


Roller Blind Systems



Motorised Roller Blind System

Silent Gliss® 4960

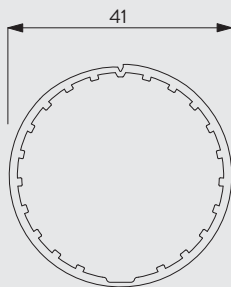


Product Information

- Medium duty motorised roller blind system for contract and residential applications
- Fixed switch or optional radio remote control
- The system can be used as a single or connected double system with one motor
- Progressive limit switch unit for easy setting and consistent positioning
- Easy ceiling, wall or recess fix
- Optional continuous installation profile with click in brackets for fast fixing on site
- Side-by-side/double version with centre support bracket and minimal light gap
- Side guide option available
- Choice of bottom bar designs
- Optional metal design brackets with or without continuous headrail
- Quiet and fast mains powered motor
- Optional 24V DC motor available
- Can be combined with Radio Remote Control System Silent Gliss 9940/0450
- Optional Smart motor to allow integration and control by most major home control systems

4960

Profile and Specification Information



10532

Specification Guide - download from the Silent Gliss Website (password required) www.silentgliss.co.uk.

4960 with SG Series 20 motors

Silent Gliss Electrically Operated Roller Blind System 4960. Supplied made to measure and complete comprising anodised aluminium barrel with integral 230v 50 Hz powered motor. Motor left / right side. Includes 10542/10543 bracket set for wall or ceiling fixing. White bracket covers 10574/10575 supplied as standard. Aluminium bottom weight bar 4221 as standard in white (other shape options available). Operation by mains switch (not supplied) or mains switching by third party control system or / SG 0450 remote control system components (supplied at additional cost)

4960 with SG Series 40 motors

Silent Gliss Electrically Operated Roller Blind System 4960. Supplied made to measure and complete comprising anodised aluminium barrel with integral 240-100v 50/60 Hz mains powered motor. Motor left / right side . Includes 10542/10543 bracket set for wall or ceiling fixing. White bracket covers 10574/10575 supplied as standard. Aluminium bottom weight bar 4221 as standard in white (other shape options available). Operation by dry contact switching either from fixed switch (not supplied) or third party control system and /or Silent Gliss 9940 radio control system via integrated receiver. (9940 control components supplied at additional cost).

4960 with 'Smart by Silent Gliss' motors

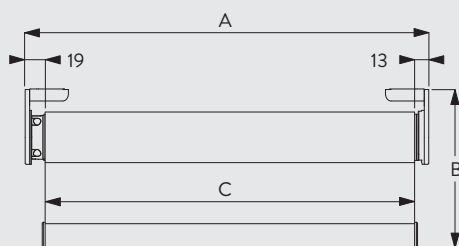
Silent Gliss Electrically Operated Roller Blind System 4960. Supplied made to measure and complete comprising anodised aluminium barrel with integral 24V DC powered motor: Motor left / right side. Operation via Silent Gliss Smart Gateway and associated components in conjunction with compatible third party control systems. Includes 10542/10543 bracket set for wall / ceiling fixing. White bracket covers 10574/10575 supplied as standard. Aluminium bottom weight bar 4221 as standard in white (other shape options available).

All wiring to be strictly in accordance with Silent Gliss wiring diagrams.

4960

How to Measure

Single system



A: system width (inside recess includes bracket covers)

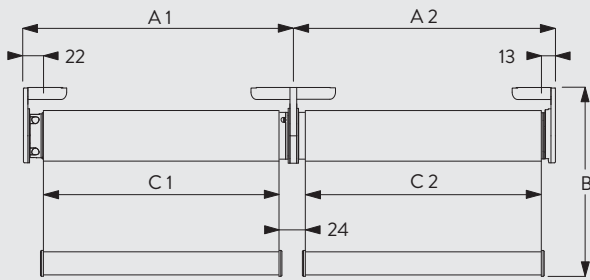
B: system drop

C: fabric width

Please note:

- OUTSIDE recess does not include bracket covers, please add 4mm.
- measurements differ when side-guide option is used.

Double (connected) systems (only possible with 230V motors) - not available with design bracket option

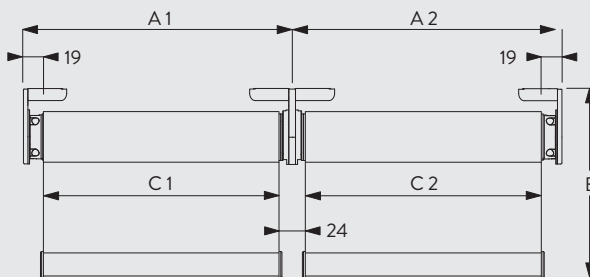


A: system width (inside recess includes bracket covers)
 B: system drop
 C: fabric width

Please note:

- OUTSIDE recess does not include bracket covers, please add 4mm.
- measurements differ when side-guide option is used.

Side-by-side systems (unconnected)

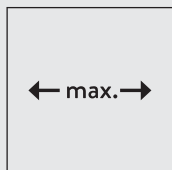


A: system width (inside recess includes bracket covers)
 B: system drop
 C: fabric width

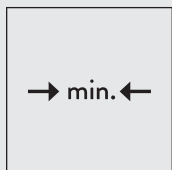
Please note:

- OUTSIDE recess does not include bracket covers, please add 4mm.
- measurements differ when side-guide option is used.

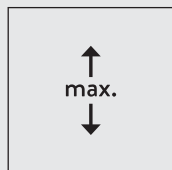
System Dimensions



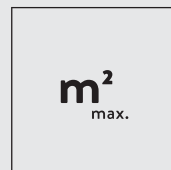
Single system: 2.4m
 Double System
 (connected) with 230V
 motor only: 4.8m



See below:



4m



Single system: 9.6m²
 Double system 19.2m²



5.5kg

Maximum system width:

- to drop ratio should not exceed 3.5:1
- will also depend on the fabric type

Minimum system width:

- Series 20 / Series 40 LV / Smart - 61mm
- Series 40 mains power - 83mm

Maximum system drop

Wall fitting:

Fabric thickness	mm	0.15	0.20	0.25	0.30	0.35	0.40	0.45	0.50	0.55	0.60	0.65	0.70	0.75	0.80
Max. system drop	cm	400	400	400	400	400	400	390	350	320	290	270	250	230	220

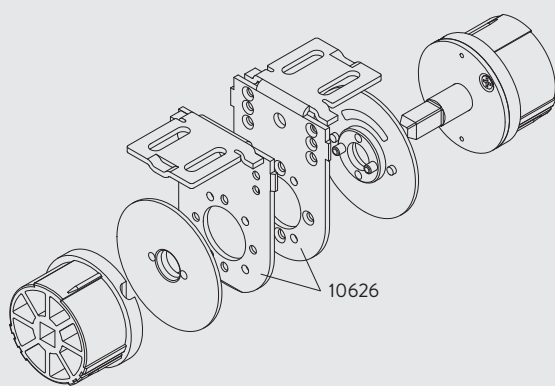
Ceiling fitting:

Fabric thickness	mm	0.15	0.20	0.25	0.30	0.35	0.40	0.45	0.50	0.55	0.60	0.65	0.70	0.75	0.80
Max. system drop	cm	400	400	400	400	400	400	400	400	400	380	350	330	300	280

To obtain fabric thickness information for a specific Silent Gliss fabric, please refer to the Silent Gliss fabric binder or contact Silent Gliss.

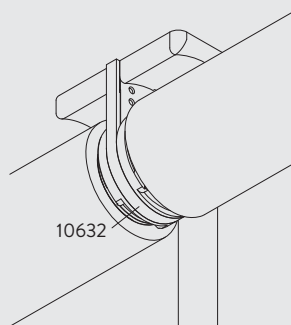
System Options

Double (connected) systems with centre support brackets 10626 (only possible with 230V motors)



The optional centre support bracket allows two connected systems to be powered by one motor. It can also be combined with continuous installation profile for easy on-site fixing.

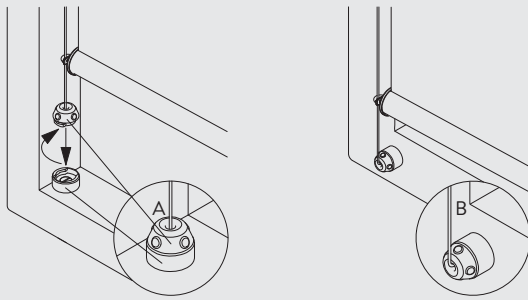
Side-by-side systems (unconnected)



10632 Intermediate cover

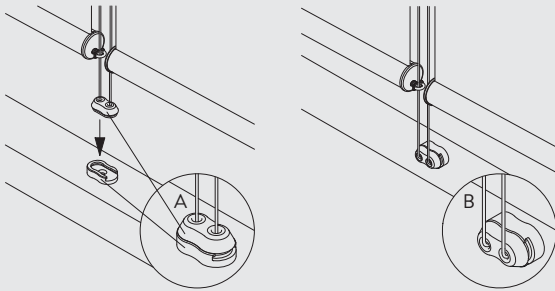
Side guides for stabilising blind systems and sloped applications (up to 15° incline)

Single system



- A: Fitting of side guides inside window frame
- B: Fitting of side guides to front of window frame

Double system

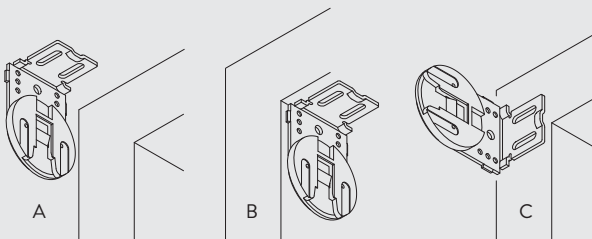


Optional box fascia

System 4960 is available with an optional box fascia. Please contact Silent Gliss for further details.

Fitting Information

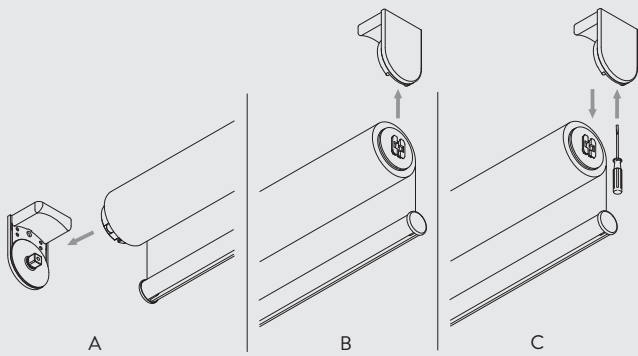
Positioning of system



- A: Ceiling Fixing
- B: Recess Fixing
- C: Wall Fixing

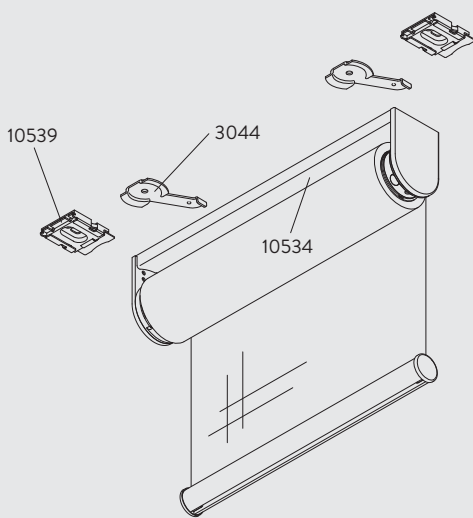
4960

Easy loading and removal of the blind



- A: Insert roller blind into support bracket (drive side)
- B: Click roller blind into support bracket (click side)
- C: Use small screwdriver to remove roller blind

Alternative fixing with continuous installation profile (optional)



System is pre-mounted on continuous installation profile 10534 for fast fitting on site. Just mount the system with pre-fixed clamps 3044 or click brackets 10539.

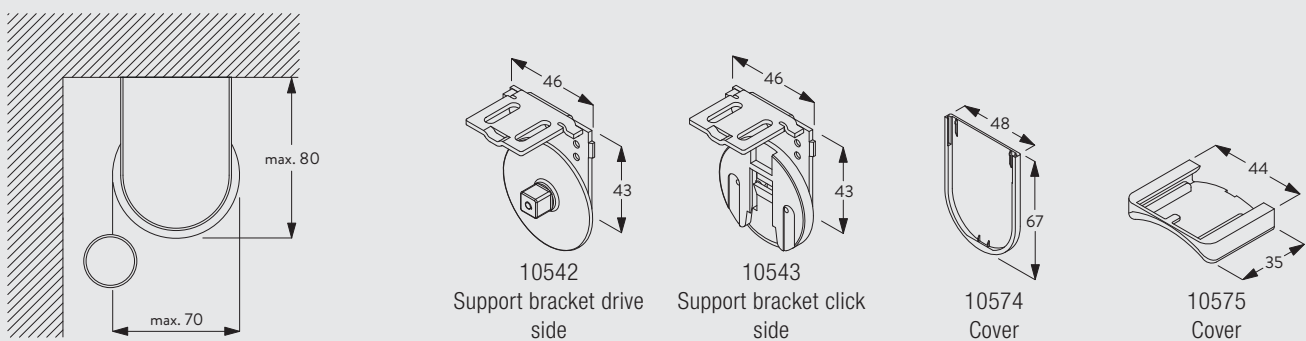
Please note: click brackets 10539 cannot be used with double (connected) systems.

4960

Fitting Options

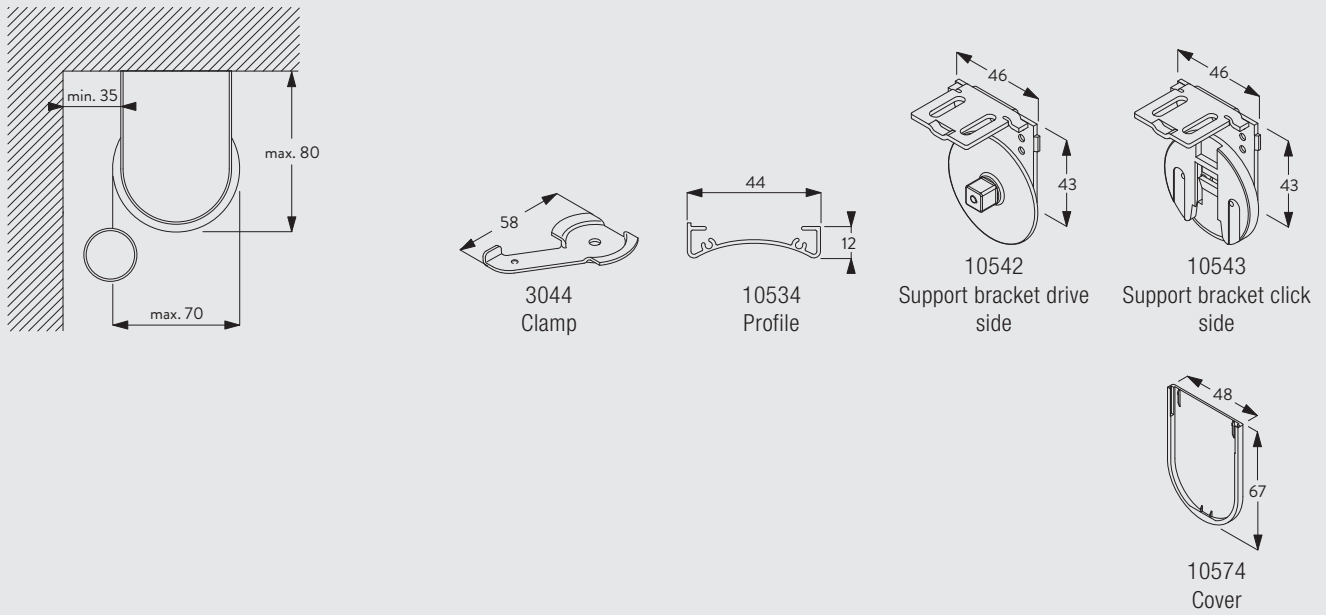
CAD download available from www.silentgliss.co.uk (password required)

Ceiling fix with brackets



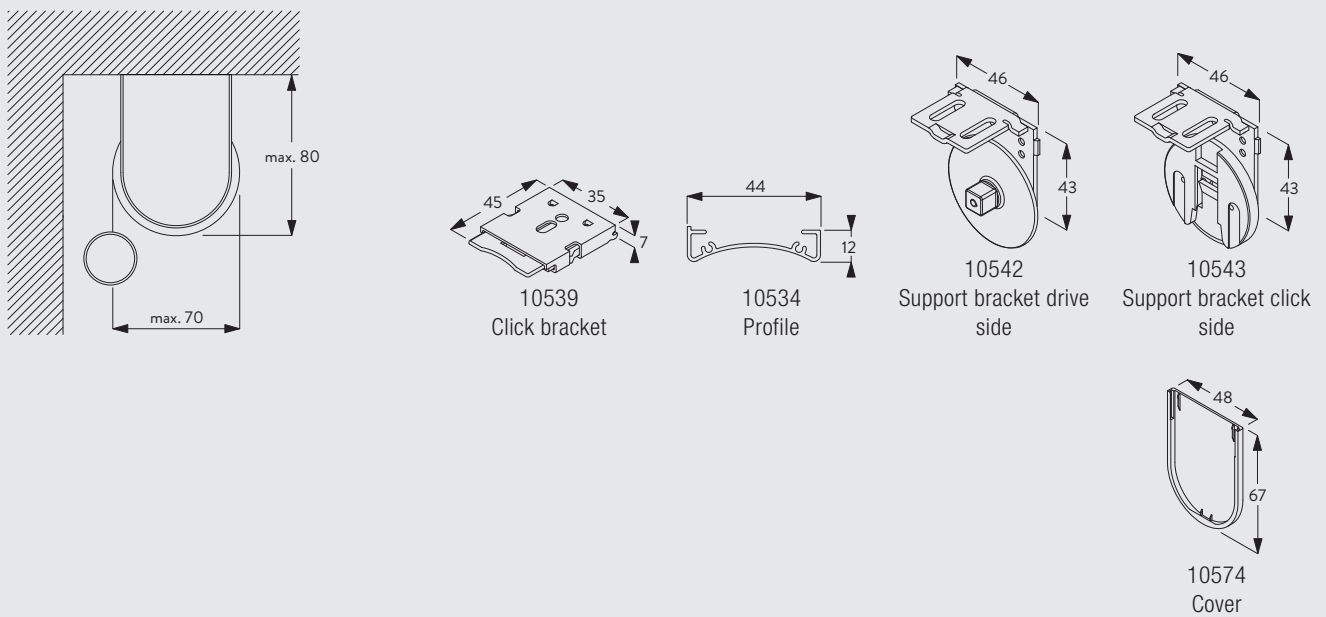
All measurements are based on the maximum system dimensions.

Ceiling fix with optional installation profile and clamps 3044



All measurements are based on the maximum system dimensions.

Ceiling fix with optional installation profile and click bracket 10539

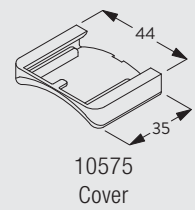
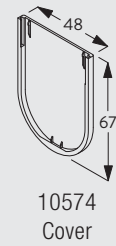
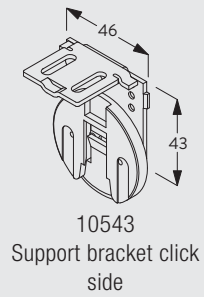
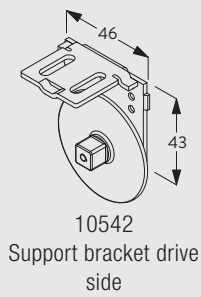
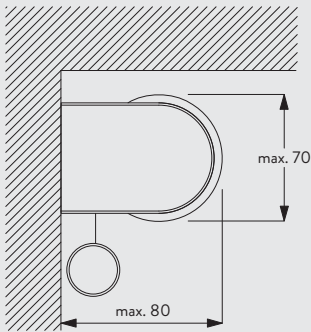


All measurements are based on the maximum system dimensions.

Please note: this fitting option is not possible with double (connected) systems.

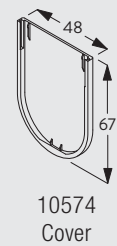
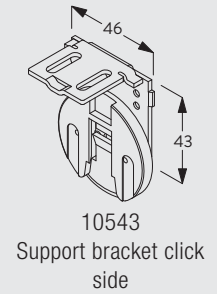
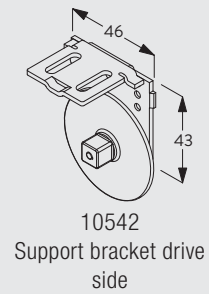
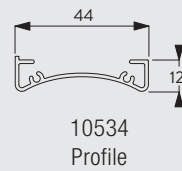
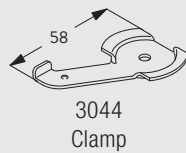
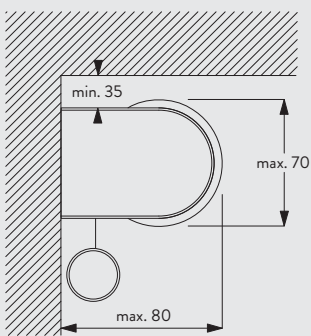
4960

Wall fix with brackets



All measurements are based on the maximum system dimensions.

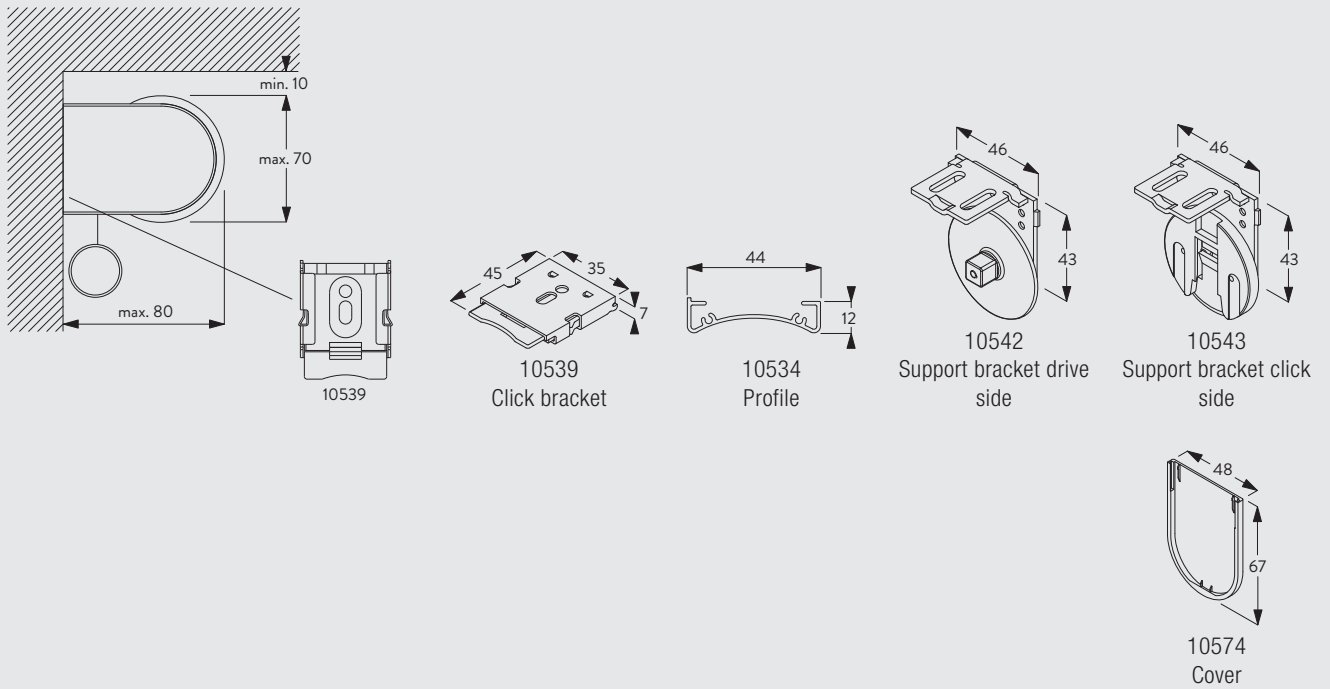
Wall fix with optional installation profile and clamps 3044



4960

All measurements are based on the maximum system dimensions.

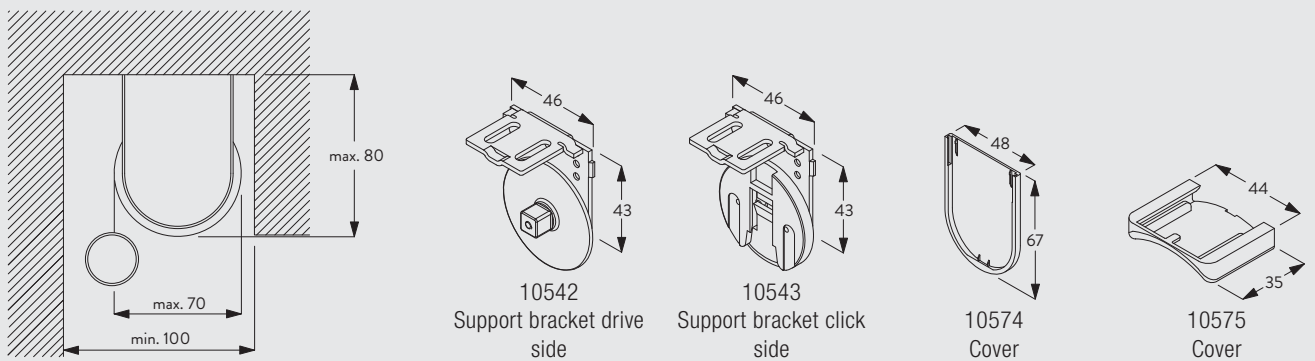
Wall fix with optional installation profile and click bracket 10539



All measurements are based on the maximum system dimensions.

Please note: this fitting option is not possible with double (connected) systems.

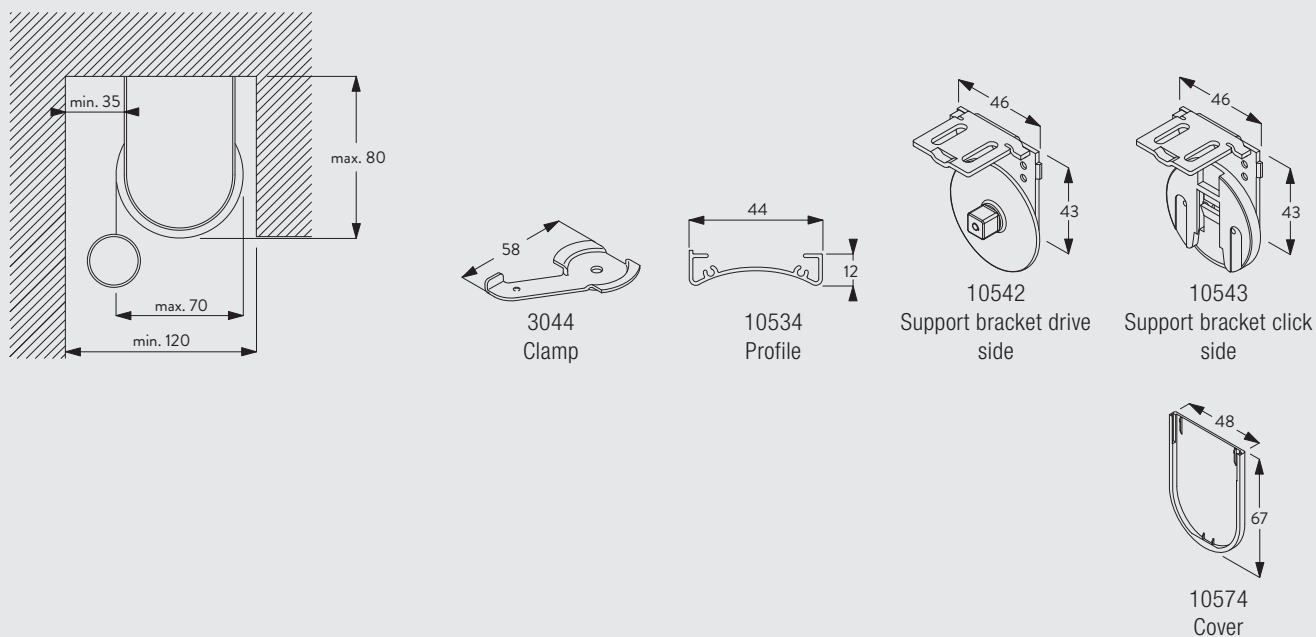
Recess fix with brackets



All measurements are based on the maximum system dimensions.

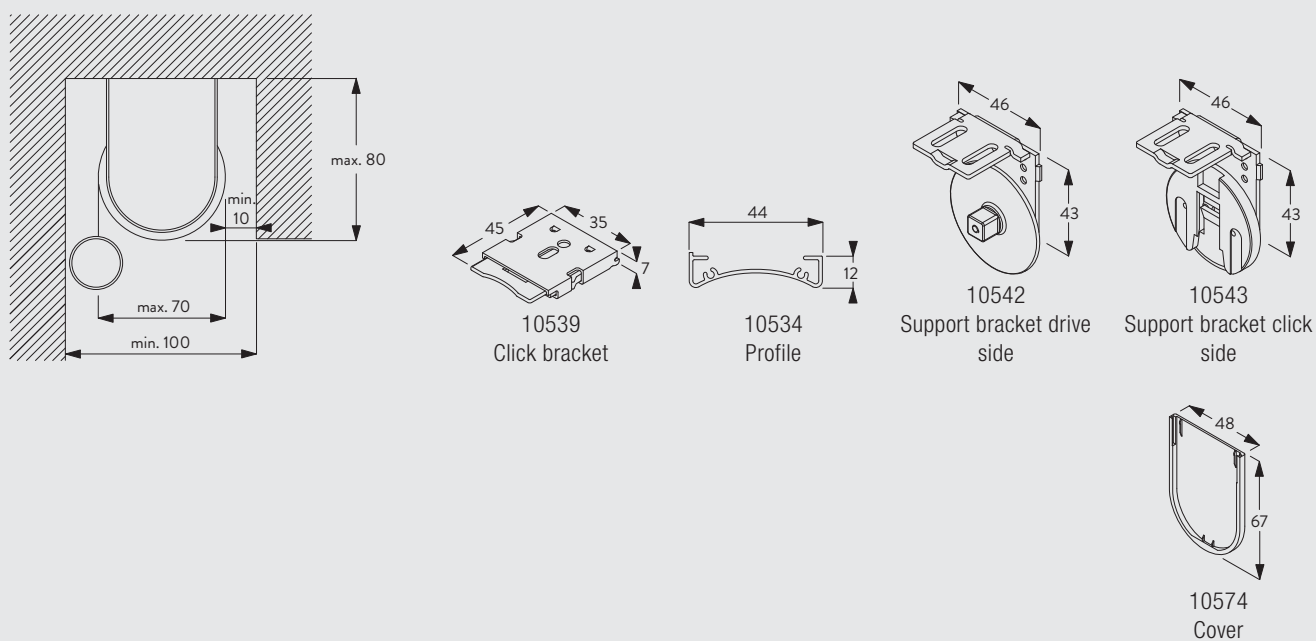
4960

Recess fix with optional installation profile and clamps 3044



All measurements are based on the maximum system dimensions.

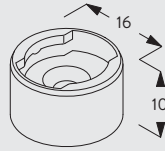
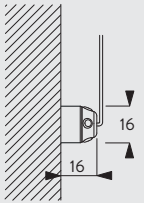
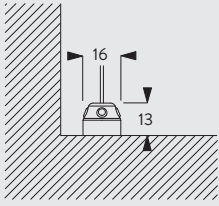
Recess fix with optional installation profile and click bracket 10539



All measurements are based on the maximum system dimensions.

Please note: this fitting option is not possible with double (connected) systems.

Fitting with side guide option

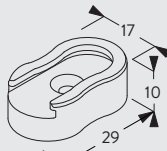
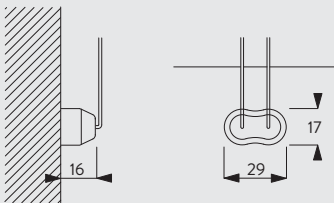
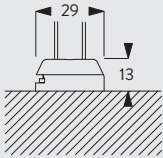


8236
Wire base long

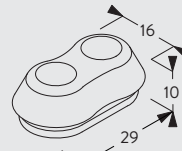


8237
Wire holder

Fitting with side guide option (connected and side-by-side installations)



10669
Double base long
(side guide)



10701
Double wire holder
(side guide)

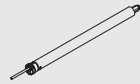
Standard Accessories

4960

4221 Bottom bar



10320 Motor 20-Series, 230V



10542 Support bracket drive side



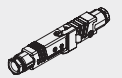
10574 Cover



10639 End cover round



9916 In-line connector - complete/no lead
(was 0766)



10532 Profile



10543 Support bracket click side



10575 Cover



Optional Accessories

0578 Pattress box



0615 Latching switch inc. pattress box



0997	Motor Test Lead		3044	Clamp	
8235	Wire base short		8236	Wire base long	
8237	Wire holder		8249	Locking ring	
10387	Cover for metal bracket		10534	Profile	
10535	Design end cover round (metal)		10539	Click bracket	
10544	Support bracket drive side (24V DC motor)		10626	Intermediate bracket stainless steel	
10627	Intermediate flange		10628	Adapter for intermediate connector	
10632	Intermediate cover		10633	Bottom bar rectangle	
10634	Bottom bar oval		10635	End cover rectangle	
10636	End cover rectangle (side guide)		10637	End cover oval	
10638	End cover oval (side guide)		10640	End cover round (side guide)	
10641	Eyelet (side guide)		10642	Wire holder (side guide)	
10643	Wire \varnothing 1.3mm x 4.2m (side guide)		10651	Intermediate flange with ring	
10669	Double base long (side guide)		10673	Double base short (side guide)	
10701	Double wire holder (side guide)		10703	Design bracket click side	
10704	Design bracket drive side		10705	Design bracket drive side (24V DC motor)	
10706	Wire \varnothing 1.3mm x 2.6m (side guide)		11240	Motor 100-240V AC, 40-Series S 1.5/48, radio receiver	
11243	Motor 24V DC, 40-Series S 1.5/48, radio receiver		11250	Smart motor 24V	
11258	Tube adapter		11260	Smart controller gateway Cedia	
11261	Smart controller gateway KNX		11262	Smart expansion unit	

11263 Power supply 24V DC, 2 Ampere
DIN Rail



11264 Power supply 24V DC, 3.8 Ampere
DIN Rail



11265 Power supply 24V DC, 5 Ampere
DIN Rail



11266 Power supply 24V DC, 10 Ampere
DIN Rail



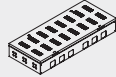
11281 Cabinet for 8 systems



11282 Cabinet for 24 systems



11283 Cabinet for 56 systems

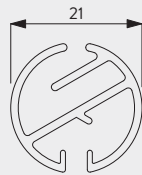


11325 Smart plug 6-pin, MC 1.5/6 ST-3.81

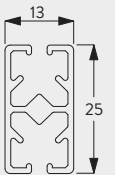


Useful Measurements

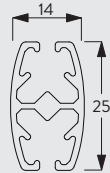
4221 Bottom bar



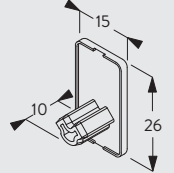
10633 Bottom bar rectangle



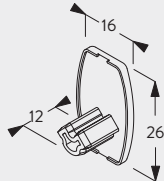
10634 Bottom bar oval



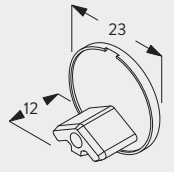
10635 End cover rectangle



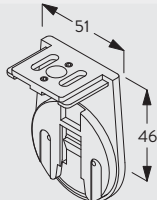
10637 End cover oval



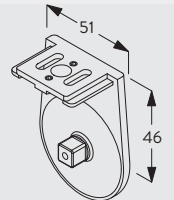
10639 End cover round



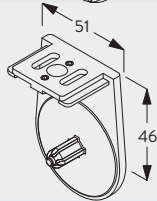
10703 Design bracket click side



10704 Design bracket drive side



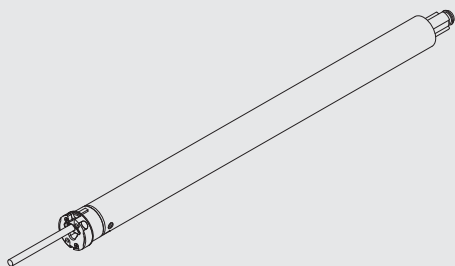
10705 Design bracket drive side (24V DC motor)



4960

Overview Motors & Controls

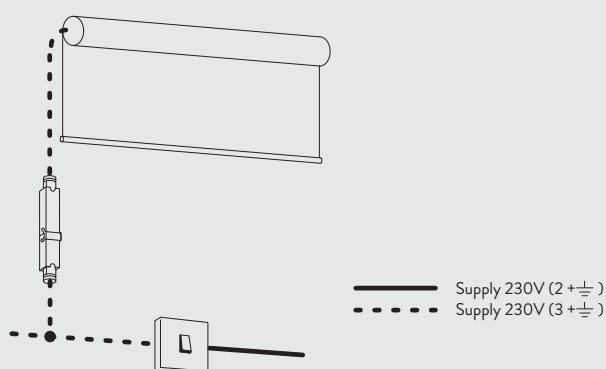
Motors Silent Gliss 10320 (20 Series)



- Motor length: 545mm
- Voltage: 230V
- Torque: 1.5Nm
- Speed: 70rpm
- Frequency: 50Hz
- Power: 135W
- Current: 0.60A
- Thermal overload protection
- CE Standard
- Cable pluggable

Operating Methods

Operation via fixed switch with motor 10320

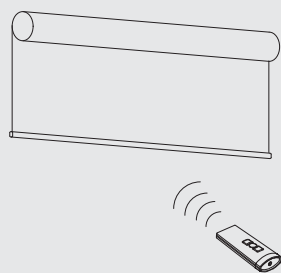


Up to 10 motors can be wired in parallel, cumulative total load to be 25% below the switch/fuse rating.

When using the fixed switch control for multiple blinds, when operating the blinds simultaneously the blinds may not necessarily stop at precisely the same intermediate point. Top and bottom levels can be preset in alignment.

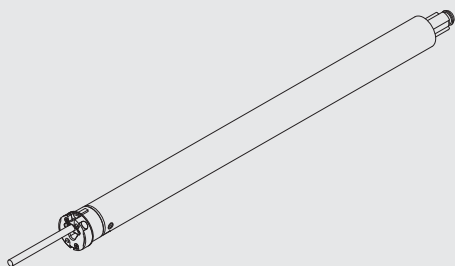
If this is a requirement then we recommend using Radio Remote Control System 0450 with individual and simultaneous switching.

Operation with Radio Remote Control System 0450



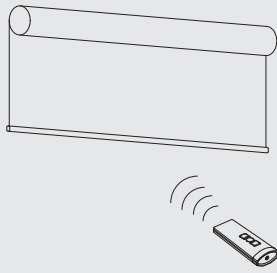
System 4960 can be combined with Radio Remote Control system 0450 using external receiver 0919 and associated 0450 transmitters.

Motor Silent Gliss 11240/11243 (40 Series)



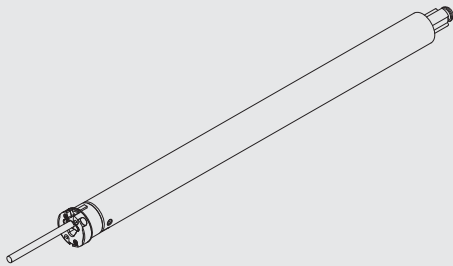
- Motor length: 11240 756mm / 11243 485mm
- Motor 11240: 240-100v 50/60 Hz supply
- Motor 11243: 24V DC supply
- Dry contact switched
- Integrated 9940 radio receiver
- Torque: 1.5NM
- Speed: 48rpm max (adjustable)
- Current: 1.5A

Operation with Radio Remote Control System 9940



All series 40 motors include an integrated receiver for use with Silent Gliss 9940 radio control system.

Motor Silent Gliss 11250 (Smart)



- 24V DC
- Smart motor to allow integration and control by most major home control systems
- Max speed: 48rpm (adjustable)
- Torque: 1.5Nm
- Must be used in conjunction with Silent Gliss Smart Gateway controller and associated components.

Wiring and connections

Important: Wiring diagrams are available on the Silent Gliss website (www.silentgliss.co.uk).

Note: For system integration with external controls please contact Silent Gliss for details.

4960

4960

www.silentgliss.co.uk
www.silentglissglobal.com

Silent Gliss Ltd
Pyramid Business Park
Poorhole Lane
Broadstairs
Kent
CT10 2PT
Great Britain

Tel: +44 (0) 1843 863571
Fax: +44 (0) 1843 864503
info@silentgliss.co.uk

Silent Gliss Global Ltd
Pyramid Business Park
Poorhole Lane
Broadstairs
Kent
CT10 2PT
Great Britain

Tel: +44 (0) 1843 874250
Fax: +44 (0) 1843 874457
info@silentglissglobal.com